

Endura AZ20 oxygen monitor Combustion gas analysis

Superior technology and quality from the world leader in oxygen measurement

Measurement made easy



Advanced design and precision manufacturing

- robust, long-life probe for process temperatures up to 800 °C (1472 °F)
- proven cell design from over 50 years experience
- fast response to process variations
- stable and accurate oxygen measurement

Unique integrated auto-calibration system

- easy compliance for emission monitoring regulation
- reduced installation costs; eliminates requirement for expensive external calibration panel
- reduced maintenance costs

Probe lengths up to 4.0 m (13.1 ft.) and industry-standard flange configurations

- suitable for a wide range of applications
- extensive installation options

Easy cell release

- fully site-serviceable probe
- easy access to internal components

Advanced transmitters

- easy configuration, monitoring and intuitive HMI
- HART communications
- cell performance logging and diagnostics

Introduction

The Endura AZ20 is the latest in a long line of high-quality, combustion gas analyzers from ABB.

The sensor, based on a zirconium oxide cell, is mounted at the tip of the probe that is inserted in the flue duct. The resulting direct, in situ measurement provides accurate and rapid oxygen reading for combustion control optimization and emissions monitoring.

Probe Lengths up to 4.0 m (13.1 ft.)

A wide range of probe insertion lengths from 0.5 to 4.0 m (1.7 to 13.1 ft.) enable installation to the optimum measuring point for accurate oxygen measurement within the duct; even in the largest flue gas ducts and stacks.

A comprehensive range of mounting flanges provide simple installation when plant-wide standard flanges are required or when replacing existing probes.

The transmitter can be probe- or remote-mounted at distances of up to 100 m (328 ft.), thus providing versatile system options for all applications. The probe-mounted transmitter option provides the lowest cost of installation. However, the remote-mounted transmitter provides flexibility when the operationally ideal probe location does not provide easy access for the user.

Advanced Design

Designed and manufactured to exacting standards, the Endura AZ20 ensures long periods of trouble-free operation in even the most arduous of applications.

The operating process temperature of up to 800 °C (1472 °F) extends system suitability into previously impossible applications and enables optimum probe location within the process.

The modular design, with reduced component count, improves the robustness and reliability of the system and simplifies routine maintenance and servicing.

Complete traceability ensures only the highest quality materials are used in the analyzer's construction and rigorous manufacturing, inspection and testing procedures (to international standard ISO 9001) result in a monitor of superior quality with prolonged probe life.



Probe and Probe-mounted Transmitter



Probe and Remote-mounted Transmitter



Modular Construction

Easy Cell Release

The Endura AZ20 probe has retained the easy-access cell arrangement of the previous generation ZFG2 probes. Cell replacement can be performed on-site using basic hand tools; even after long periods of high temperature operation where screw threads have 'seized' and can no longer be released.

Kits containing all the parts needed to complete maintenance are available from ABB to ensure a technician can perform services quickly, efficiently and at minimum cost.

Proven Cell Design

ABB's metallurgically bonded, multi-layer electrode technology increases the cell's resistance to sulphurous and reducing atmospheres and high temperature operation. This extends the life-cycle of the cell in the most arduous applications such as sulphur recovery processes, crematoria and industrial/clinical waste incineration.



Zirconia Cell

Optional Flow Rate Control to the Sensor

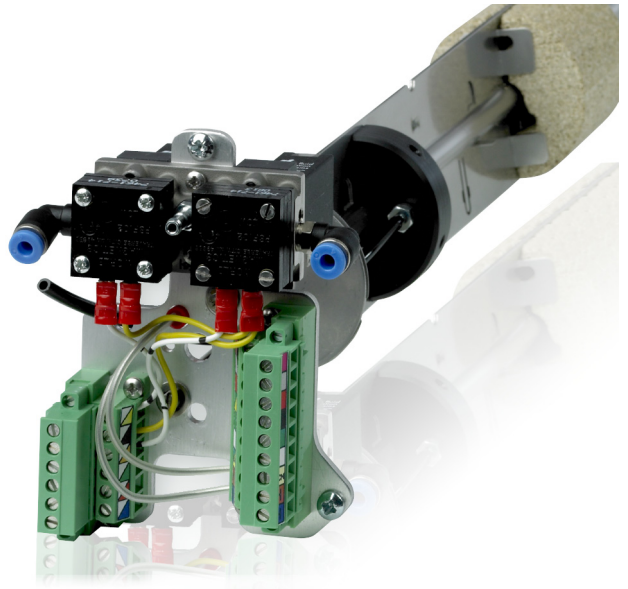
The correct flow rate of test gas and reference air is essential to ensure the accurate operation of Zirconia-based AZ20 oxygen analyzers.

This is achieved using one of two options:

- using flow restrictors (no flowmeters required):
 - flow restrictors fitted in the sensor head guarantee the correct flow of test gases and reference air by applying the gases / air to the probe at a fixed pressure of 15 psi (1.0 bar)
- using flowmeters (no restrictors):
 - the Endura AZ20 uses flow meters with flow control valves to regulate the flow of test gases and reference air into the sensor

Unique Integrated Automatic Calibration

The all new Endura AZ20 automatic calibration system eliminates the need for the expensive ancillary equipment required for automatic calibration on traditional flue gas oxygen analyzer systems. ABB's fully integrated, automatic calibration feature controls the test gas sequence and detects test gas availability, eliminating incorrect calibrations due to loss of test gas.



Advanced Automatic Calibration Facility

Integrated automatic calibration secures the oxygen measurement, providing complete confidence in the analyzer's performance.

Long-term operation without technician intervention minimizes operating costs, total cost-of-ownership, optimizes system accuracy and contributes to the CEMS (Continuous Emissions Monitoring Compliance). A significant proportion of service visits to an analyzer result in 'no fault found'. Endura AZ20's high-quality manufacture, advanced diagnostics and fully-integrated, automatic calibration is targeted at reducing this wasted effort and cost.

The AutoCal option can be used with or without the flow restrictors option.

Filter Options

An optional large surface area filter for high dust applications is available and can be easily retro-fitted if required.

Advanced Transmitter

The Endura AZ20 transmitter incorporates the most up-to-date design and technology available today.

ABB's universal human/machine interface (HMI) with its large, clear, backlit graphical display, 'through-the-glass' control and intuitive menu structure simplifies transmitter configuration and operation.

The user-friendly interface enables fast, easy data entry for all parameters and the 'Easy Setup' menu speeds and simplifies system commissioning.

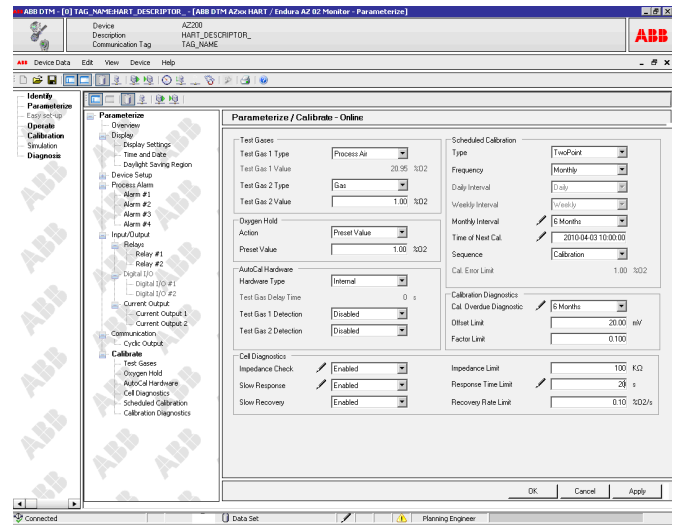
Advanced diagnostics, in accordance with NAMUR NE107, classify alarms and warnings as 'Maintenance Required', 'Check Function', 'Failure' and 'Out-of-Specification'. Cell performance is monitored by the transmitter; indicators such as cell impedance, rate-of-response to test gasses and changes in calibration offset/factor are recorded and analyzed. The current cell 'quality' is displayed by the transmitter as a visual indication of the measurement confidence; providing the operator all the information required to keep the monitor operating at peak performance.

The Performance Log holds up to 100 time-stamped events. When the log is full, the oldest data is overwritten by new entries. The log contains details of measurements and coefficients for all calibrations and accuracy checks.

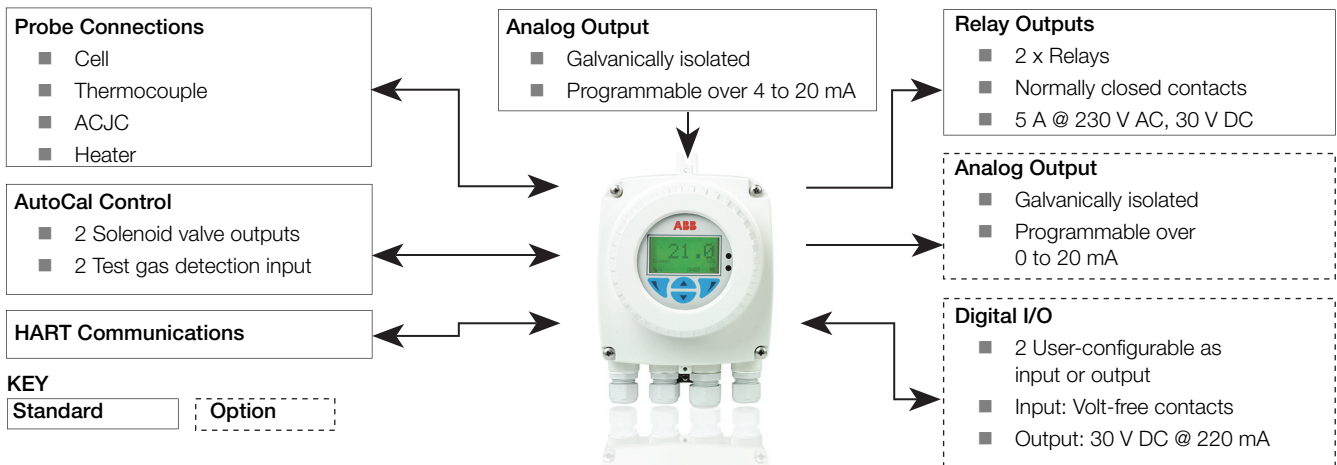
2 Relay outputs and a traditional analog output are fitted as standard, with the option of adding a second analog output or 2 digital inputs/outputs (I/O).

The Endura AZ20 transmitter is equipped with HART communication as standard, supported by a full Device Type Manager (DTM) to enable remote access to the analyzer through a user-friendly graphical interface. The DTM provides full access to the transmitter setup, logged data and diagnostics information as well as live data.

The IrDA standard infrared communication port can also be used with the DTM to upload and download device configurations. In addition, it enables data logged values and diagnostics to be viewed on a hyperterminal interface or a PC. The device's firmware can also be upgraded using this port.

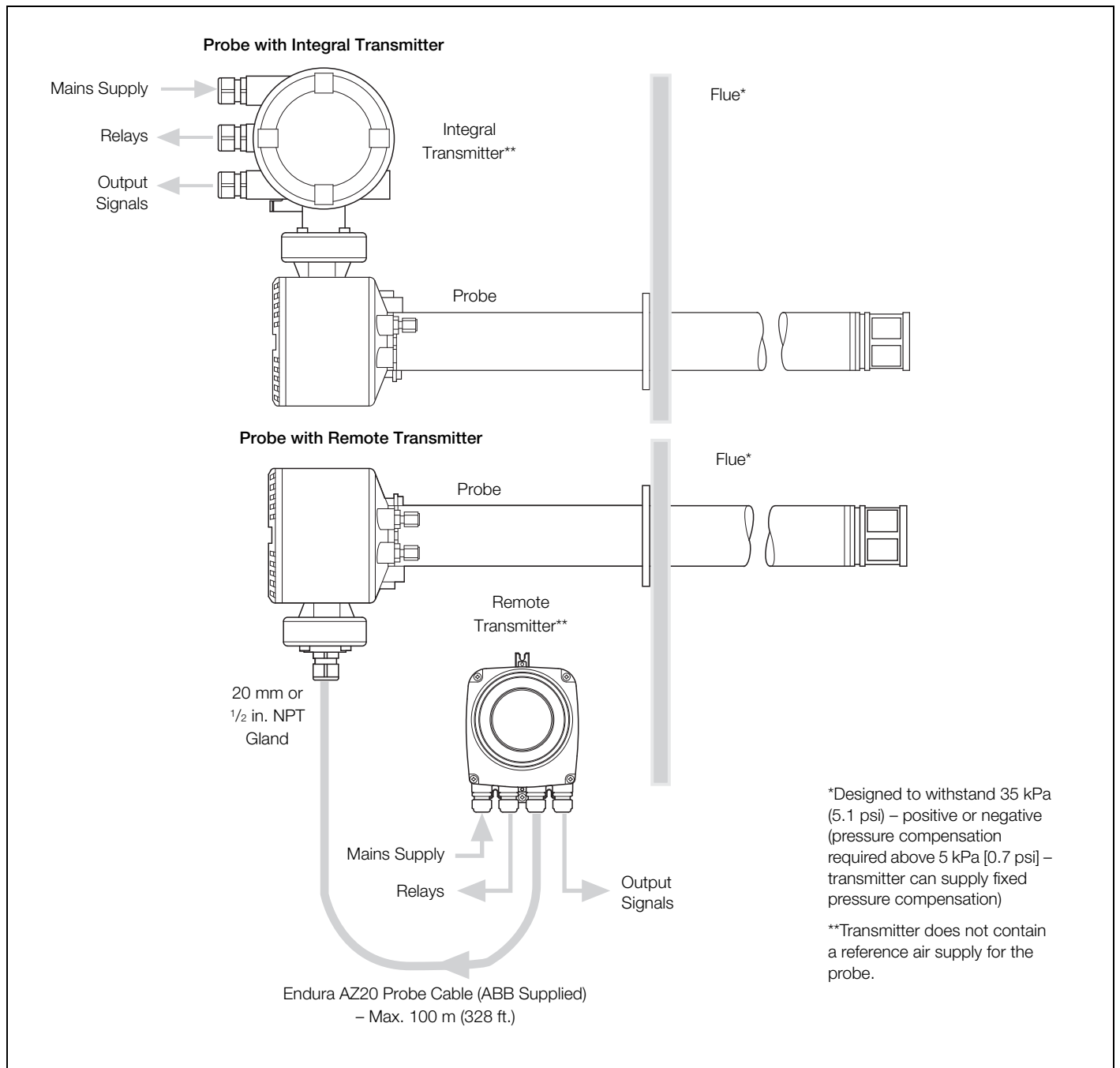


DTM Graphical Interface



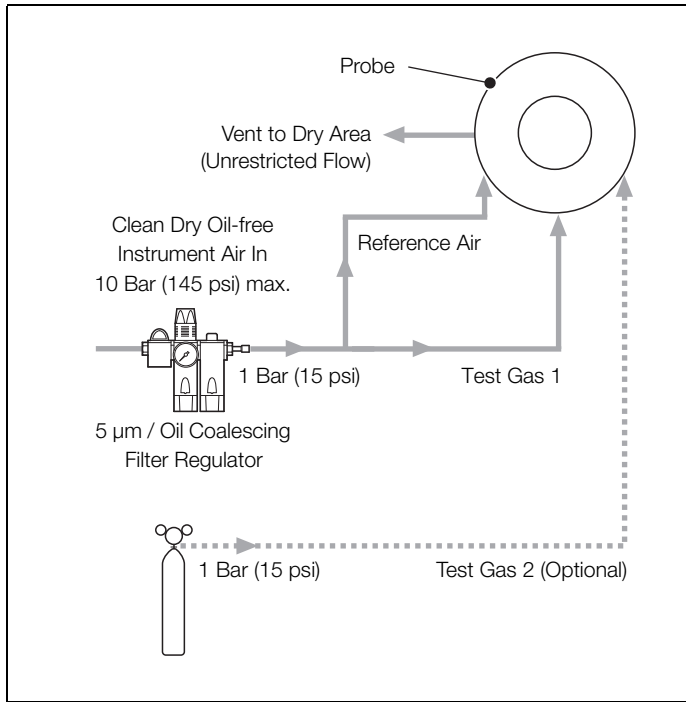
Transmitter Options

There are 2 Endura AZ20 transmitter options – probe with integral transmitter and probe with remote transmitter:

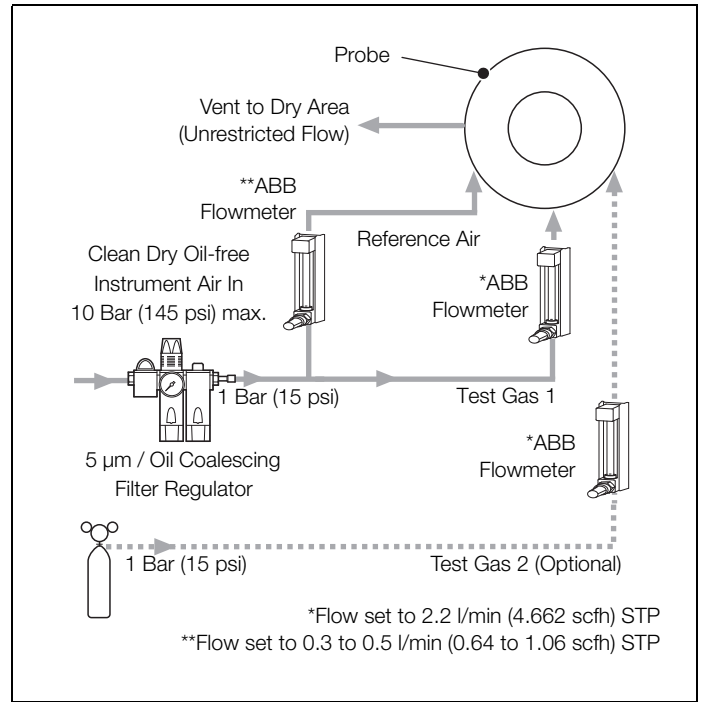


Endura AZ20 Transmitter Options

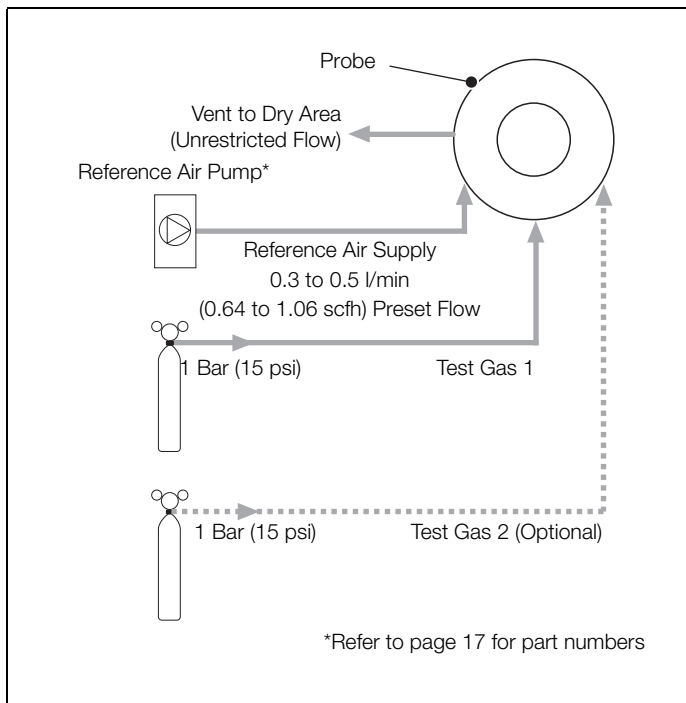
Test Gas and Reference Air Supply Configurations – Automatic Calibration (AutoCal) Systems



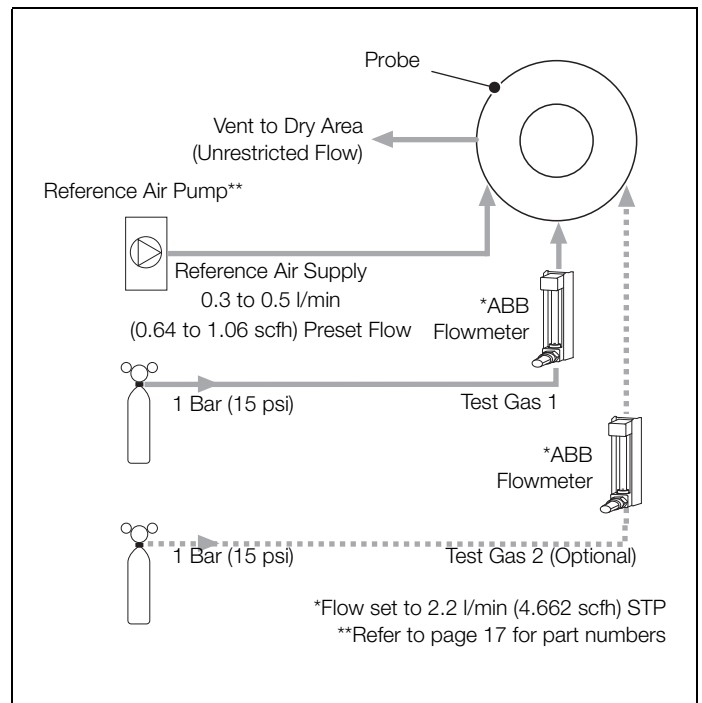
AutoCal with Air Supply and Restrictors



AutoCal with Air Supply and no Restrictors

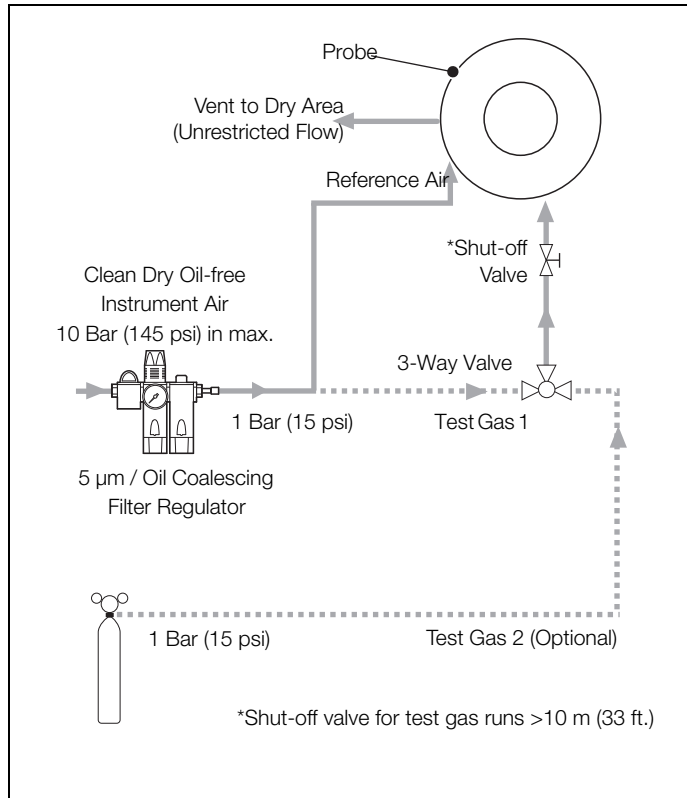


AutoCal with Test Gas(es) and Restrictors

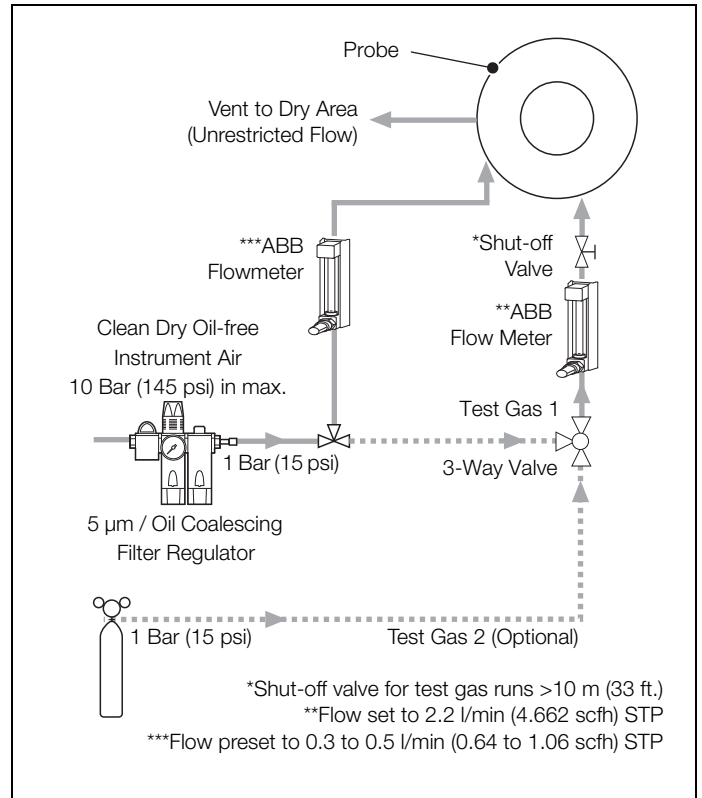


AutoCal with Test Gas(es) and no Restrictors

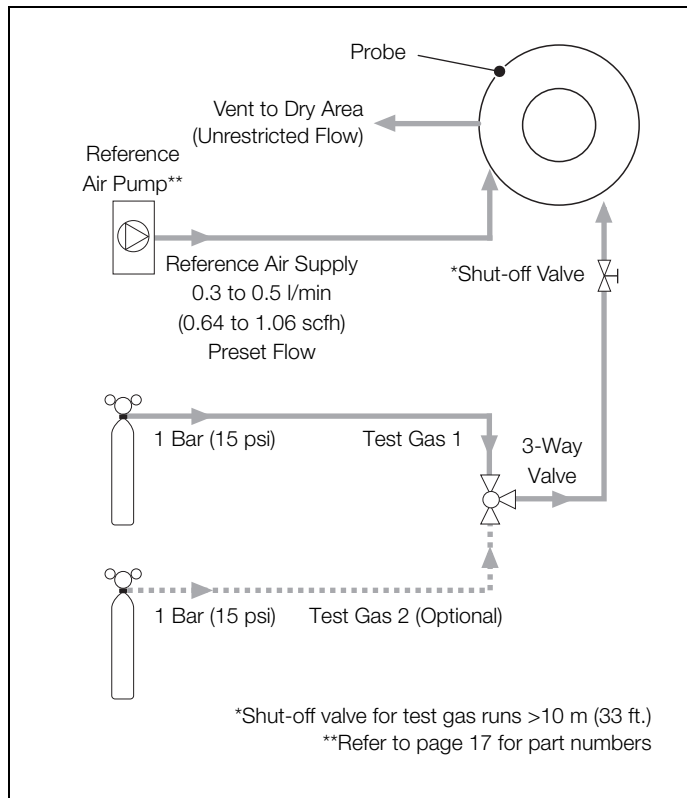
Test Gas and Reference Air Supply Configurations – Non-automatic Calibration (Non-AutoCal) Systems



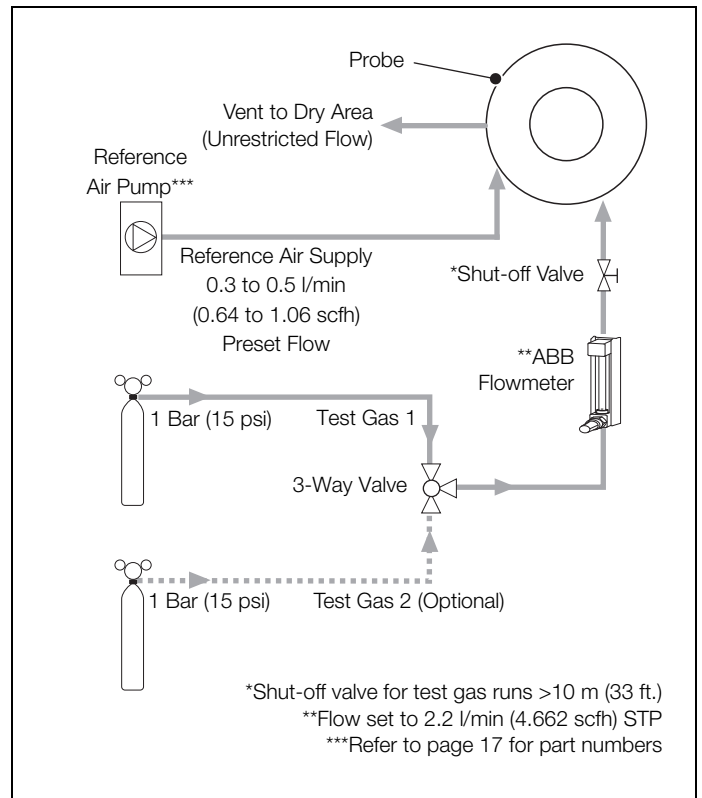
Non-AutoCal with Air Supply and Restrictors



Non-AutoCal with Air Supply and no Restrictors



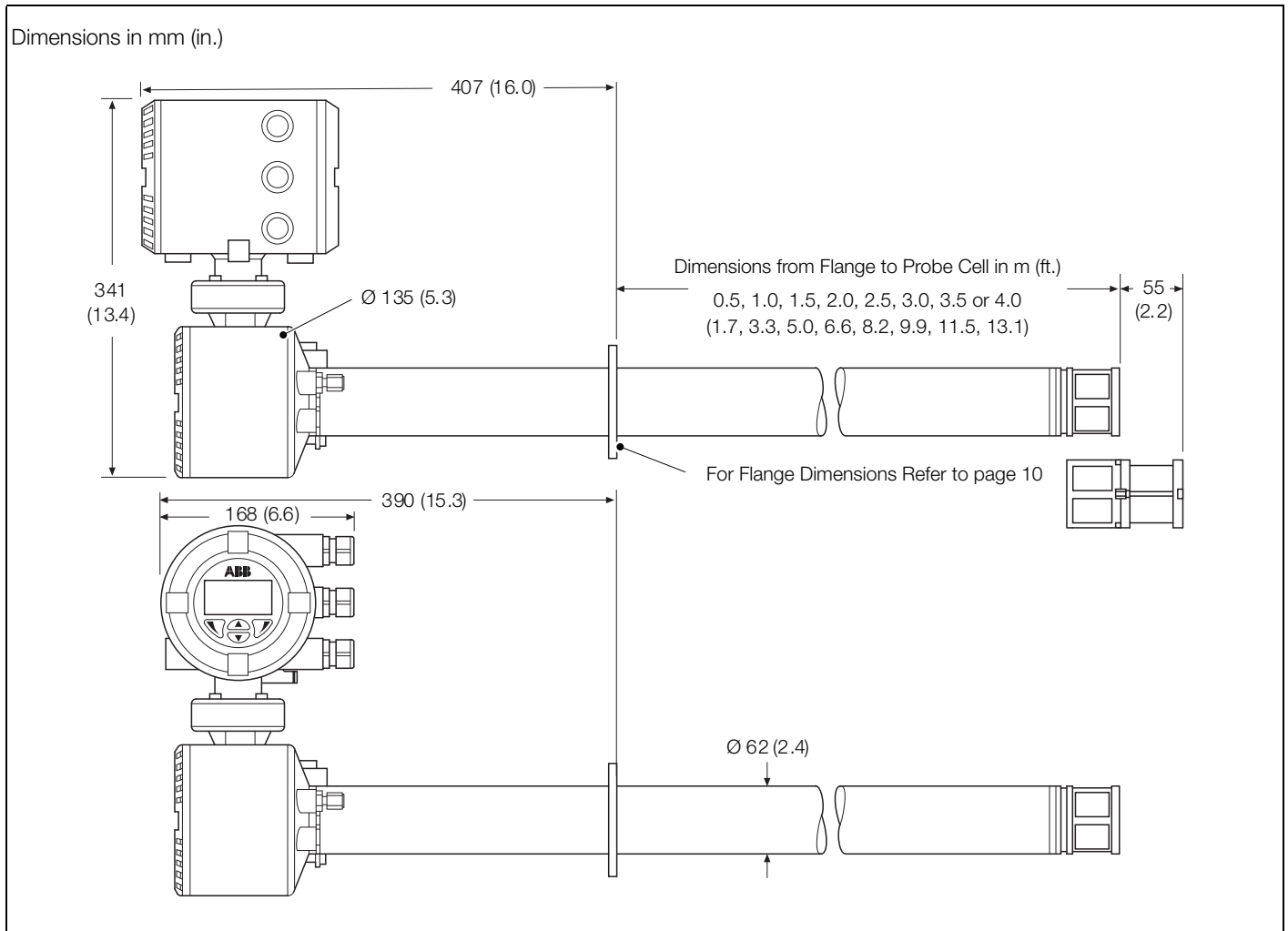
Non-AutoCal with Test Gas(es) and Restrictors



Non-AutoCal with Test Gas(es) and no Restrictors

Overall Dimensions

Probe and Integral Transmitter

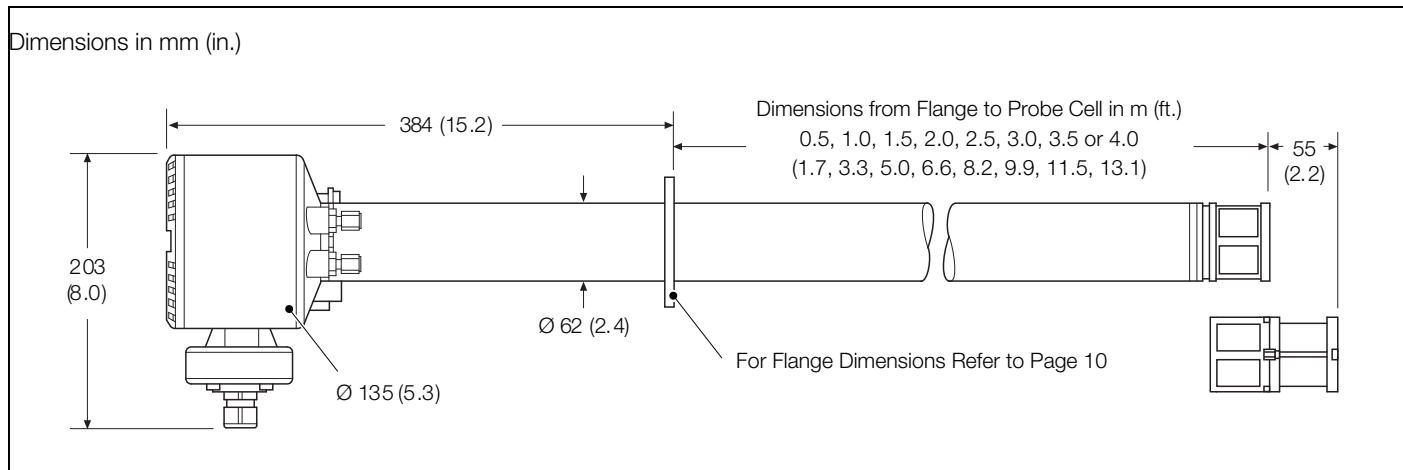


Overall Dimensions – Probe and Integral Transmitter

Length m (ft.)	Unpacked – kg (lb)	Packed – kg (lb)
0.5 (1.7)	12.5 (27.5)	17.72 (39.1)
1.0 (3.3)	14.8 (32.5)	21.43 (47.3)
1.5 (5.0)	17.0 (37.5)	25.14 (55.5)
2.0 (6.6)	19.3 (42.5)	28.35 (63.6)
2.5 (8.2)	21.5 (47.5)	34.17 (75.4)
3.0 (9.9)	23.8 (52.4)	37.38 (83.5)
3.5 (11.5)	26.0 (57.4)	41.59 (91.7)
4.0 (13.1)	28.3 (62.3)	45.30 (99.9)

Weights – Probe and Integral Transmitter

Remote Probe

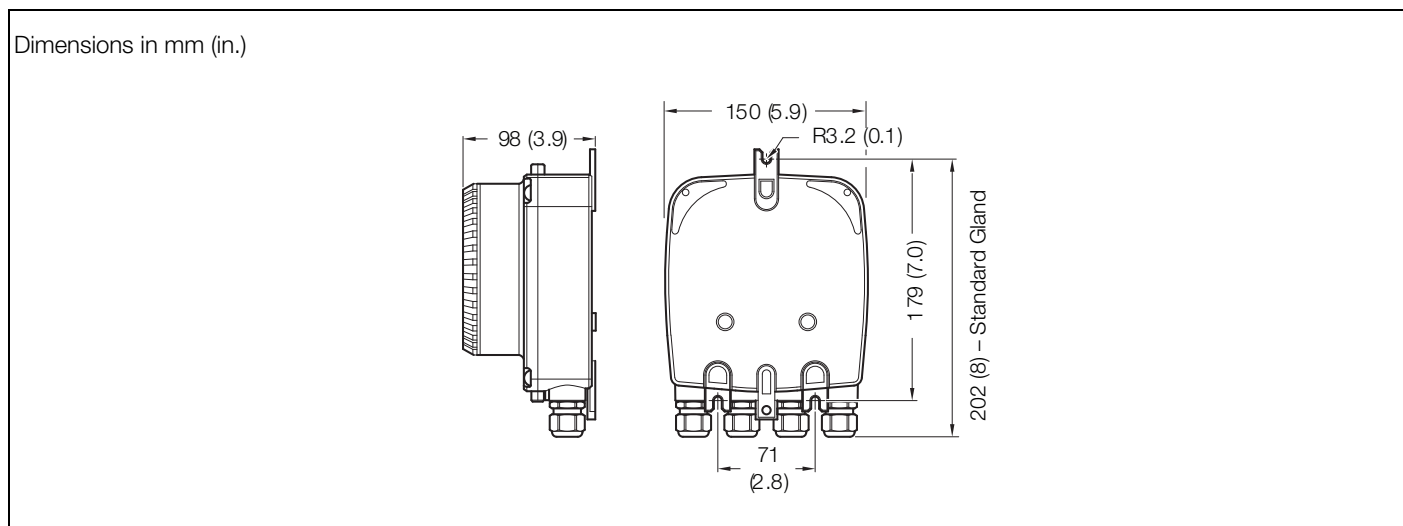


Overall Dimensions – Remote Probe

Length m (ft.)	Probe Only Unpacked – kg (lb)	Packed Only Packed – kg (lb)	Probe and Remote Transmitter Unpacked – kg (lb)	Probe and Remote Transmitter Packed – kg (lb)
0.5 (1.7)	9 (19.9)	14.2 (31.4)	11.5 (25.4)	16.7 (36.9)
1.0 (3.3)	11.3 (24.9)	17.9 (39.6)	13.6 (30.3)	20.5 (45.1)
1.5 (5.0)	13.5 (29.8)	21.7 (47.7)	16.0 (35.3)	24.2 (53.3)
2.0 (6.6)	15.8 (34.8)	25.4 (55.9)	18.3 (40.3)	27.9 (61.4)
2.5 (8.2)	18 (39.7)	30.7 (67.7)	20.5 (42.2)	33.2 (73.2)
3.0 (9.9)	20.3 (44.7)	34.4 (75.8)	22.8 (50.2)	36.9 (81.3)
3.5 (11.5)	22.5 (49.6)	38.1 (84.0)	25.0 (55.2)	40.6 (89.5)
4.0 (13.1)	24.8 (54.6)	41.8 (92.2)	27.3 (60.1)	44.3 (97.7)

Weights – Remote Probe

Remote Transmitter



Overall Dimensions – Remote Transmitter (Standard Gland Shown)

Probe Flanges (All Probe Lengths) and Mounting Plates for Standard Probe Flanges

Dimensions in mm (in).

Note. The pressure ratings for these flanges do not apply.

Flange Type	A	B	C (Ø)	D (PCD)
ABB Standard (0.5 m [1.7 ft.] probes only)	101 (3.97)	6 (0.24)	7.3 (0.29)	80 (3.15)
ABB Standard	165 (6.50)	12 (0.47)	12.5 (0.50)	140 (5.51)

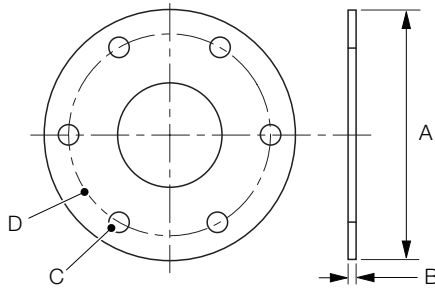
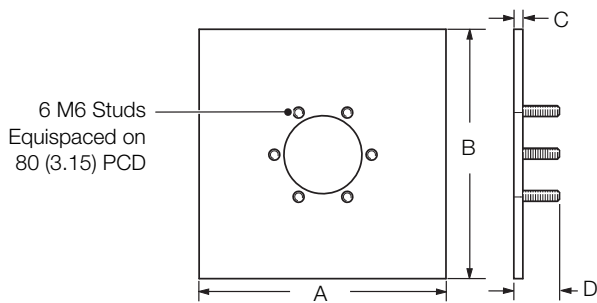


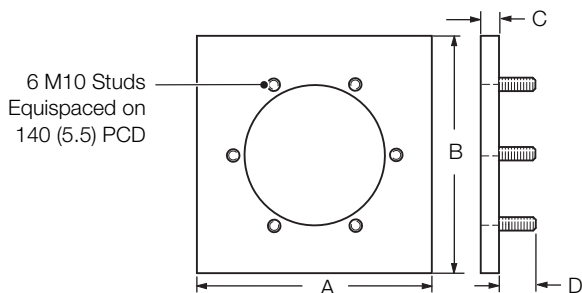
ABB Probe Flange Types, Dimensions

Mounting Plate	A	B	C	D
0.5 m (1.7 ft.)	160 (6.3)	160 (6.3)	7 (0.27)	16 (0.63)
1.0 to 4.0 m (3.3 to 13.1 ft.)	203 (8.0)	203 (8.0)	20 (0.79)	32 (1.26)

Comprising: mounting plate, gasket, 6 each: M6/M10 shakeproof washers, plain washers and nuts.



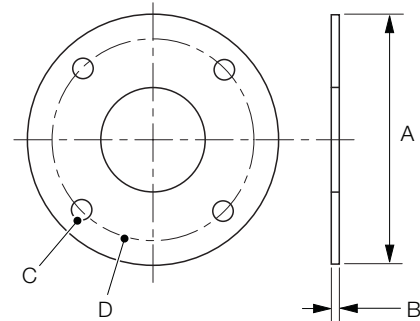
Standard mounting plate for 0.5 m (1.7 ft.) probe – Part No. AZ200 796



Standard mounting plate for 1.0 to 4 m (3.3 to 13.1 ft.) probes – Part No. AZ200 795

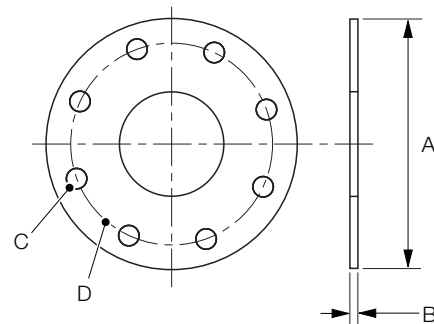
ABB Flange Mounting Plates

Flange Type	A	B	C (Ø)	D (PCD)
ANSI 2 in 150	152.4 (6.00)	12 (0.47)	19 (0.75)	120.6 (4.75)
ANSI 2.5 in 150	177.8 (7.00)	12 (0.47)	19 (0.75)	139.7 (5.50)
ANSI 3 in 150	190.5 (7.50)	12 (0.47)	19 (0.75)	152.4 (6.00)
DIN 65 PN16	185 (7.28)	12 (0.47)	18 (0.70)	145 (5.70)
JIS 65 5K	155 (6.10)	12 (0.47)	15 (0.59)	130 (5.12)
JIS 80 5K	180 (7.08)	12 (0.47)	19 (0.75)	145 (5.71)



4-Hole Probe Flange Types and Dimensions

Flange Type	A	B	C (Ø)	D (PCD)
ANSI 4 in 150	228.6 (9.0)	12 (0.47)	19 (0.75)	190.5 (7.50)
DIN 80 PN16	200 (7.87)	12 (0.47)	18 (0.70)	160 (6.30)
DIN 100 PN16	220 (8.66)	12 (0.47)	18 (0.70)	180 (7.08)
JIS 100 5K	200 (7.87)	12 (0.47)	19 (0.75)	165 (6.50)

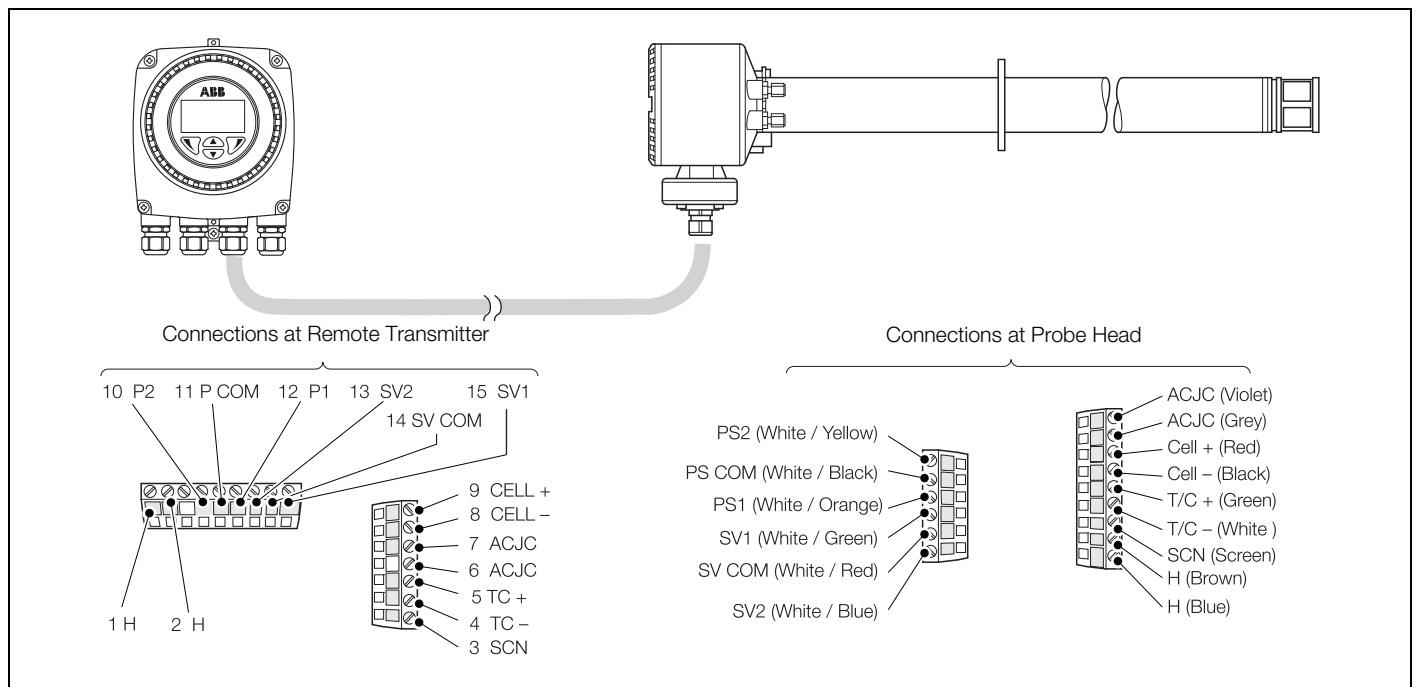


8-Hole Probe Flange Types and Dimensions

Electrical Connections – Remote Transmitter to Probe

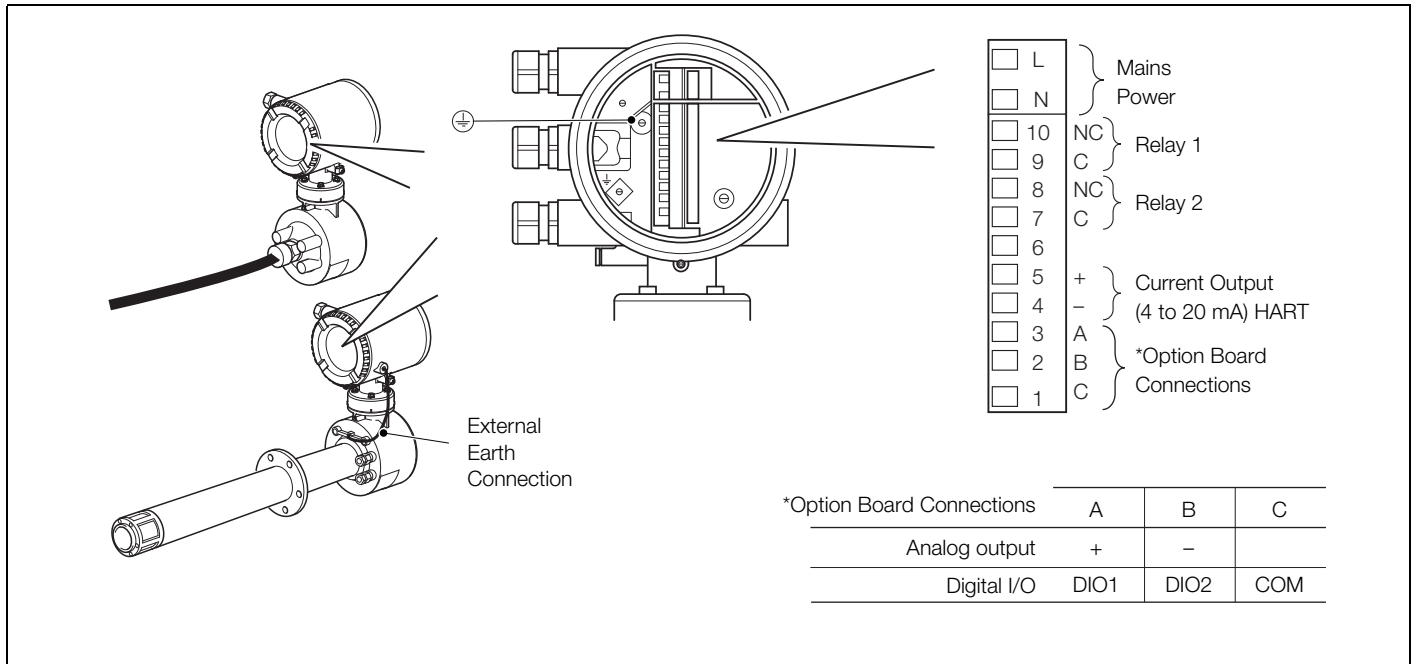
Transmitter Terminal No.	Probe Terminal Color Label	Tag ID	Connection Type	Cable Color Code
1	Brown	H	Heater	Brown
2	Blue	H	Heater	Blue
3	Light Yellow (SCN)	SCN	Screen	Screens
4	White	T/C –	Thermocouple (–ve)	White
5	Green	TC+	Thermocouple (+ve)	Green
6	Grey	ACJC	PT1000 Cold Junction Compensation	Grey
7	Violet	ACJC		Violet
8	Black	CELL –	Oxygen Input (–ve)	Black
9	Red	CELL +	Oxygen Input (+ve)	Red
10	White/Yellow	PS2	Pressure Switch – Gas 2	White/Yellow
11	White/Black	P COM	Pressure Switch – Common	White/Black
12	White/Orange	PS1	Pressure Switch – Gas 1	White/Orange
13	White/Blue	SV2	Solenoid Valve – Gas 2	White/Blue
14	White/Red	SV COM	Solenoid Valve – Common	White/Red
15	White/Green	SV1	Solenoid Valve – Gas 1	White/Green

Transmitter to Probe Connections



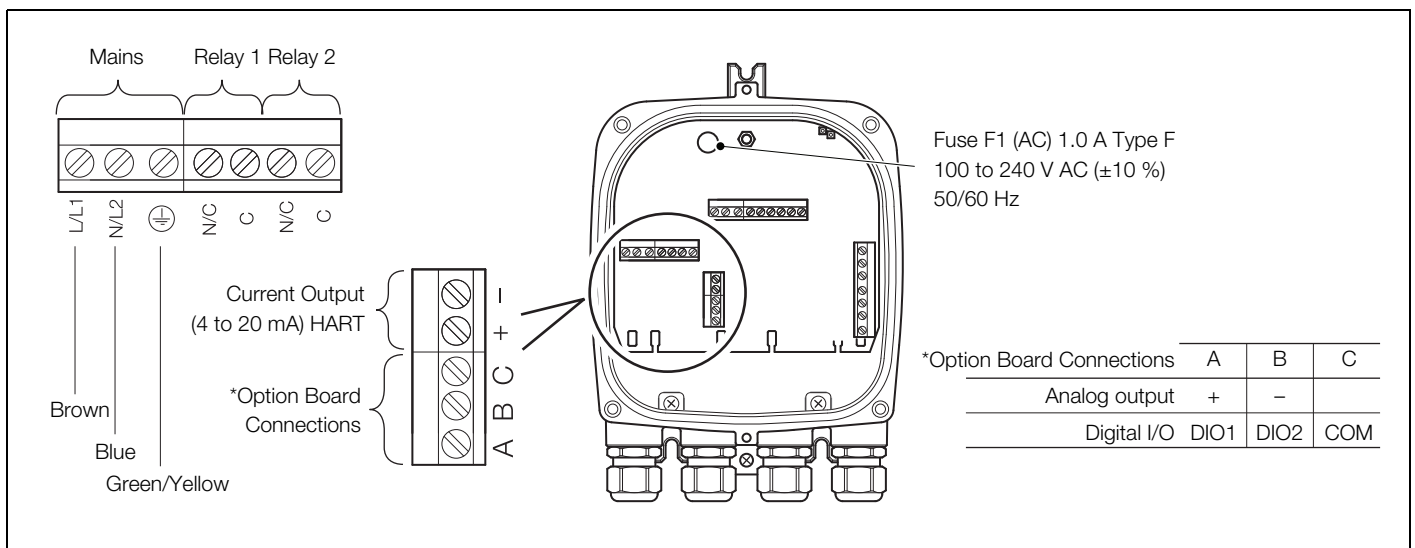
Electrical Connections – Remote Transmitter and Probe

Integral Transmitter – Power Supply and Output Connections



Integral Transmitter – Power Supply and Output Connections

Remote Transmitter – Power Supply and Output Connections



Remote Transmitter – Power Supply and Output Connections

System Specification

Measurement Performance

Range

0.01 to 100 % O₂

Test gas response time

Initial dead time 3 seconds

T90 < 10 seconds

System accuracy

< ±0.75 % of reading or 0.05 % O₂, whichever is the greater, based on a nominal range of 0.01 to 25 % O₂ or 20 to 100 % O₂

Drift

< ± 1 % maximum % O₂ range value per month (without calibration)

< ± 0.2 % typical

Environmental Data

Ambient operating temperature

Transmitter -20 to 55 °C (-4 to 131 °F)

Probe -20 to 70°C (-4 to 158 °F)

Storage temperature

-40 to 85 °C (-40 to 185 °F)

Operating humidity

Up to 95 % RH, non-condensing

Sunlight

Store and operate out of direct sunlight

Ingress protection

Probe (excludes remote/integral transmitter) IP66 (NEMA 4X)

Electronics enclosures – remote and integral IP66 (NEMA 4X)

Power Supply

AC power supply

100 to 240 V AC ±10 % (90 V min. to 264 V max.) 50 / 60 Hz

Electronics

< 10 W

Probe heater

< 100 W

EMC

Emissions and immunity

Conforms to EN61326-1:2006

Safety

General safety

Conforms to EN61010-1: 2001

Approvals and safety certification

CE mark

Probe Specification

Physical

Probe insertion lengths

0.5 m (1.7 ft.)	2.5 m (8.2 ft.)
1.0 m (3.3 ft.)	3.0 m (9.9 ft.)
1.5 m (5.0 ft.)	3.5 m (11.5 ft.)
2.0 m (6.6 ft.)	4.0 m (13.1 ft.)

Process connection

All probe lengths:

ANSI B16.5 150 lb

2, 2.5, 3, 4 in

DIN2501 Part 1

65, 80, 100 mm

JIS B2238 5K

NPT

(flange pressure ratings do not apply)

0.5 m (1.7 ft.) probes ABB 500 mm (19.7 in)
standard flange

1.0 m (3.3 ft.) and longer ABB 1000 mm (39.4 in)
standard flange

Probe body material

316L stainless steel

Mounting angle

Horizontal to vertically down

Note. Horizontally-mounted probes greater than 2.0 m (6.6 ft.) in length may need to be supported.

Process Conditions

Standard process temperature

All probe lengths* -20 to 800 °C (-4 to 1472 °F)

Process pressure

Designed to withstand 35 kPa (5.1 psi) – positive or negative
(pressure compensation required above 5 kPa (0.7 psi) – transmitter can
apply fixed pressure compensation)

* For > 2 m (6.6 ft.) probes, special conditions may apply

Operating requirements

Reference air

Regulated supply	Probes with restrictors	1 bar (15 psi), flowmeters not required
	Probes without restrictors	1 bar (15 psi) flowmeters required with flow set to 0.3 to 0.5 l/min (0.64 to 1.06 scfh)
Pumped supply	Probes with / without restrictors	Preset flow 0.3 to 0.5 l/min (0.64 to 1.06 scfh)

Test gas

User-selectable, 100 to 0.1 % O₂ balance N₂ and/or air
(air is recommended as one of the test gases)

Probes with restrictors 1 bar (15 psi) – flowmeters not required as
restrictors preset flow to 2.2 l/min (4.662 scfh)

Probes without restrictors 1 bar (15 psi) flowmeters required,
set to 2.2 l/min (4.662 scfh) flow

Calibration

Manual, semi-automatic or automatic
(controlled by Endura AZ20 transmitter)

Automatic calibration

AutoCal hardware

Optional built-in solenoid valves for control of test gas flow

Built-in pressure switches to detect presence of test gases

Heater Operational Requirements

AZ20 Probe

Nominally 190 Ω, 70 W at 115 V AC – power is limited to 70 W max. by
AZ20 transmitter over an 85 to 265 V AC range

AZ20 / ZFG2 Replacement Probe

Nominally 25 Ω, 120 W at 55 V AC – for use only with a ZDT analyzer or
ZMT transmitter

Transmitter Specification

Transmitter enclosures

Remote

- Wall-, pipe- or stand-mounted
- 4 gland entries
- Optional 1/2 in NPT, M20

Integral

- Head-mounted
- 3 gland entries
- Optional 1/2 in NPT, M20

Automatic calibration

AutoCal hardware

- Isolated solenoid valve control as standard, 24 V @ 2 W per valve*
- Dedicated isolated digital inputs to monitor pressure switch contacts as standard – voltage-free, normally closed with gas present

Display and switches

Display type

- Graphical 128 x 64 pixel LCD

Display backlight

- Green LED

Operator switches

- 4 capacitive switches
(operated through the front glass)

Relay outputs

Number

- 2 standard

Type

- Normally closed
- 5 A @ 230 V AC or 30 V DC (non-inductive)

Functions

- User-configurable – can be activated by one or more of the following signals:
 - Process alarm 1, 2, 3, 4
 - Calibration in progress
 - Calibration failed
 - Out of test gas 1, 2
 - Test gas 1 valve control
 - Test gas 2 valve control
 - Failure diagnostic
 - Out-of-specification diagnostic
 - Maintenance required diagnostic
 - Function check diagnostic

*For driving internal automatic calibration (AutoCal) probes or can be used to drive external calibration units on remote transmitters only.

Analog outputs

Standard

- 1 isolated current output
- Programmable to retransmit oxygen (linear or logarithmic) or temperature
- Programmable over 4 to 20 mA
- Over-range capability to indicate system failure programmable from 4 to 22 mA

Optional

- 1 isolated current output
- Programmable to retransmit oxygen (linear or logarithmic) or temperature
- Programmable over 0 to 20 mA
- Over-range capability to indicate system failure programmable from 0 to 22 mA

Digital inputs/outputs

Number

- 2 (optional)

Type

- User-configurable as either input or output

Input

- Volt-free contact

Output

- Transistor switch capable of sinking 220 mA
- Low output, < 2 V DC
- Switch voltage 30 V DC maximum

Isolation

- Not isolated from each other or from other circuitry

Input functions

- User-configurable for:
 - Automatic calibration start
 - Automatic calibration stop
 - Automatic calibration start/stop

Functions

- User-configurable – can be activated by one or more of the following signals:
 - Process alarm 1, 2, 3, 4
 - Calibration in progress
 - Calibration failed
 - Out of test gas 1
 - Out of test gas 2
 - Test gas 1 valve control
 - Test gas 2 valve control
 - Failure diagnostic
 - Out-of-specification diagnostic
 - Maintenance required diagnostic
 - Function check diagnostic

Hart communications

Version

5.7 as standard

Integration

Device Type Manager (DTM) and Electronic Device Description (EDD)

Provide online/offline device configuration, online monitoring of measurement values and diagnostic states

DTM

FDT v1.2.1 compliant

Works with FDT framework packages
(for example, ABB Asset Vision Basic)

EDD

Compliant with suitable framework tools
(for example, SDC 625 and Simatic PDM tools)

Infrared service port

Accessibility

Through front face

Type

IrDA standard

Baud rate

Up to 115K baud

Functions

Firmware update

Remote HMI

Diagnostic log download

Datalog output

HART via IrDA

Languages

English

Calibration

Manual calibration

- 1 point (offset)
- 1 point (factor)
- 2 point (offset + factor)

Automatic calibration

- 1 point (offset)
- 2 point (offset + factor)

Calibration control

- Front panel controls
- Digital inputs
- HART commands
- User-defined schedule

Calibration scheduler

User-defined schedule enables automatic calibration frequency to be set from 1 day to 12 months

Part Numbers for Endura AZ20 and AZ20/ ZFG2 Replacement Heaters, Thermocouple / Electrode Assemblies & ABB Flowmeters

Probe Length	Part Number
0.5 m (1.7 ft.)	AZ200 710
1.0 m (3.3 ft.)	AZ200 711
1.5 m (5.0 ft.)	AZ200 712
2.0 m (6.6 ft.)	AZ200 713
2.5 m (8.2 ft.)	AZ200 714
3.0 m (9.9 ft.)	AZ200 715
3.5 m (11.5 ft.)	AZ200 716
4.0 m (13.1 ft.)	AZ200 717

Endura AZ20 – Standard Heater Assembly

Probe Length	Part Number
0.5 m (1.7 ft.)	AZ200 701
1.0 m (3.3 ft.)	AZ200 702
1.5 m (5.0 ft.)	AZ200 703
2.0 m (6.6 ft.)	AZ200 704
2.5 m (8.2 ft.)	AZ200 705
3.0 m (9.9 ft.)	AZ200 706
3.5 m (11.5 ft.)	AZ200 707
4.0 m (13.1 ft.)	AZ200 708

Thermocouple / Electrode Assembly

Probe Length	Part Number
0.5 m (1.7 ft.)	AZ200 720
1.0 m (3.3 ft.)	AZ200 721
1.5 m (5.0 ft.)	AZ200 722
2.0 m (6.6 ft.)	AZ200 723

Endura AZ20 / ZFG2 Replacement Probe – Heater Assembly

Flowmeter Type	Part Number
1/4 NPT Flowmeter (Reference Air): 0.1 to 0.85 l/min (0.21 to 1.8 scfh) STP	AZ200 786
1/4 BSP Flowmeter (Reference Air): 0.1 to 0.85 l/min (0.21 to 1.8 scfh) STP	AZ200 787
1/4 NPT Flowmeter (Test Gas): 0.6 to 4.4 l/min (1.27 to 9.32 scfh) STP	AZ200 788
1/4 BSP Flowmeter (Test Gas): 0.6 to 4.4 l/min (1.27 to 9.32 scfh) STP	AZ200 789

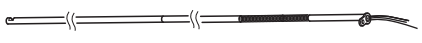
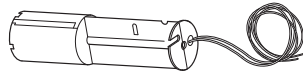
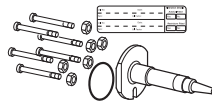
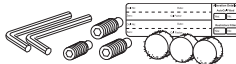
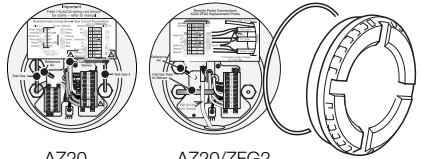
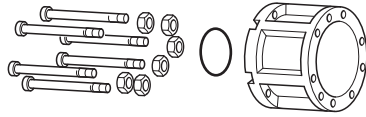
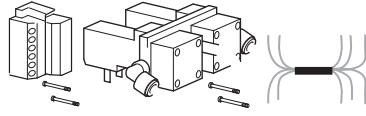
ABB Flowmeters NPT/BSP

Spares and Accessories

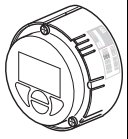
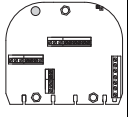
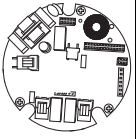
Documentation and Software

Part No.	Description
IM/AZ20M-EN	Maintenance Guide Download* the guide from: www.ABB.com/analytical-instruments *Enter this address in your browser and then type IM/AZ20M-EN in the search box – the Maintenance Guide is the top link.
AZ20 DTM Software	Device Type Manager – please contact ABB for details

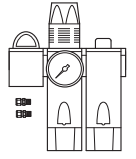
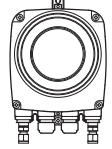
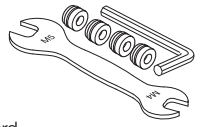
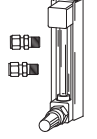
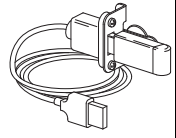
Probe Spares

Part No.	Description
Length dependant – see page 16 for part numbers	Thermocouple / Electrode Assembly 
Length dependant – see page 16 for part numbers	AZ20 Standard Heater Assembly AZ20/ZFG2 Replacement Heater Assembly 
AZ200 700	Cell Assembly – includes C-ring and Commissioning label 
AZ200 727	Restrictor Upgrade Kit 
AZ200 728	Probe End Cap – includes wiring labels  AZ20 Version AZ20/ZFG2 Replacement Version
AZ200 729	Diffuser Assembly – includes C-ring 
AZ200 730	AutoCal Upgrade Assembly 

Transmitter Spares

Part No.	Description
AZ200 750 AZ200 751 AZ200 752	AZ20 Transmitter Cartridge Standard Standard + Analog O/P Standard + Digital O/P 
AZ200 758	Remote (Type 4) Transmitter Backplane 
AZ200 757	Integral (Type 3) Transmitter Backplane 

Accessories

Part No.	Description
AZ200 731 AZ200 732	Coalescing Filter-Regulator 1/4 NPT 5 µm 1/4 NPT 5 µm 
AZ200 770 AZ200 771 AZ200 772 AZ200 773	ABB Reference Air Pump 1/4 BSP (Metric) 230 V AC 50 / 60 Hz 1/4 BSP (Metric) 115 V AC 50 / 60 Hz 1/4 NPT (Imperial) 230 V AC 50 / 60 Hz 1/4 NPT (Imperial) 115 V AC 50 / 60 Hz 
AZ200 798 AZ200 799	Probe Tool Kit* NPT (AZ20) BSP (AZ20) *Included with probe as standard 
Application dependant – see page 16 for part numbers	ABB Flowmeter 
AZ200 785	USB to IrDA Adaptor Kit 

Ordering information – Endura AZ20 Probe/Transmitter

	AZ20/	Tx			Probe													/STD
	X	X	X	X	X	X	X	X	X	X	X	X	X	X	X	X	X	X
Transmitter Options																		
None	0																	
Standard	1																	
Standard + 2 nd analog output	2																	
Standard + 2 digital inputs/outputs	3																	
Transmitter Entry Type																		
None (no transmitter required)	0																	
Metric (M20)	1																	
Imperial (NPT)	2																	
Transmitter System Type																		
None (no transmitter required)			0															
Integral			1															
Remote			2															
Probe Type																		
None (no probe required)				0														
Standard				1														
Probe Entry Type																		
None (no probe required)					0													
Metric (M20)					1													
Imperial (NPT)					2													
Probe System Type																		
None (no probe required)								0										
Integral								1										
Remote								2										
Automatic Calibration																		
None (no probe required)									0									
No automatic calibration (with flow restrictors)									1									
No automatic calibration (without flow restrictors)									2									
Automatic calibration (with flow restrictors)									3									
Automatic calibration (without flow restrictors)									4									
Insertion Length																		
None (no probe required)	0	2.5 m (8.2 ft.)		5														
0.5 m (1.7 ft.)	1	3.0 m (9.9 ft.)		6														
1.0 m (3.3 ft.)	2	3.5 m (11.5 ft.)		7														
1.5 m (5.0 ft.)	3	4.0 m (13.1 ft.)		8														
2.0 m (6.6 ft.)	4																	
Flange Type																		
None (no probe required)	0	ANSI 2.5 in flange		6														
ABB standard flange	1	ANSI 3 in flange		7														
DIN 65 mm flange	2	ANSI 4 in flange		8														
DIN 80 mm flange	3	JIS 65 mm flange		9														
DIN 100 mm flange	4	JIS 80 mm flange		A														
ANSI 2 in flange	5	JIS 100 mm flange		B														
Thermocouple Type																		
None (no probe required)										0								
Type K										1								
Cell Options																		
None (no probe required)																		0
Standard cell																		1
Large surface area filter																		4
Cable Length																		
None	0	50 m (164 ft.)																4
5 m (16 ft.)	1	75 m (246 ft.)																5
10 m (33 ft.)	2	100 m (328 ft.)																6
25 m (82 ft.)	3																	
Cable Type																		
None																		0
Standard																		1
CSA																		2
Reserved																		
																		0
Certification Option																		
None																		0
Mcert																		4
cFMus General Safety																		5
Language																		
English																		E
German																		G
French																		F
Spanish																		S
Italian																		I

Ordering information – ZFG2 Replacement Probe

	AZ20/	0	0	0	2	X	2	2	X	X	1	1	X	X	X	X	/STD
Transmitter Options																	
None (no transmitter required)		0															
Transmitter Entry Type																	
None (no transmitter required)		0															
Transmitter System Type																	
None (no transmitter required)		0															
Probe Type																	
ZFG2 replacement				2													
Probe Entry Type																	
Metric (M20)						1											
Imperial (NPT)						2											
Probe System Type																	
Remote							2										
Automatic Calibration																	
No automatic calibration (without flow restrictors)								2									
Insertion Length																	
0.5 m (1.7 ft.)											1						
1.0 m (3.3 ft.)											2						
1.5 m (5.0 ft.)											3						
2.0 m (6.6 ft.)											4						
Flange Type																	
None (no probe required)	0																
ANSI 2.5 in flange								6									
ABB standard flange	1							7									
ANSI 3 in flange																	
DIN 65 mm flange	2							8									
ANSI 4 in flange																	
DIN 80 mm flange	3							9									
JIS 65 mm flange																	
DIN 100 mm flange	4							A									
JIS 80 mm flange																	
ANSI 2 in flange	5							B									
JIS 100 mm flange																	
Thermocouple Type																	
Type K											1						
Cell Options																	
Standard cell													1				
Conduit																	
None															0		
6 metres (20 ft) conduit for ZFG2 replacement probe															7		
10 metres (33 ft) conduit for ZFG2 replacement probe															8		
Reserved																	
																0	
Certification Option																	
None																	0
Mcert																	4
Language																	
English																	
German																	
French																	
Spanish																	
Italian																	

E
G
F
S
I

Acknowledgements

HART is a registered trademark of the HART Communication Foundation

Contact us

ABB Limited

Process Automation

Oldends Lane
Stonehouse
Gloucestershire GL10 3TA
UK

Tel: +44 1453 826 661

Fax: +44 1453 829 671

ABB Inc.

Process Automation

125 E. County Line Road
Warminster
PA 18974
USA

Tel: +1 215 674 6000

Fax: +1 215 674 7183

www.abb.com

Note

We reserve the right to make technical changes or modify the contents of this document without prior notice. With regard to purchase orders, the agreed particulars shall prevail. ABB does not accept any responsibility whatsoever for potential errors or possible lack of information in this document.

We reserve all rights in this document and in the subject matter and illustrations contained therein. Any reproduction, disclosure to third parties or utilization of its contents in whole or in parts – is forbidden without prior written consent of ABB.

Copyright© 2016 ABB

All rights reserved

3KXA722211R1001



Sales



Service



Software